



AIRCHARGER®

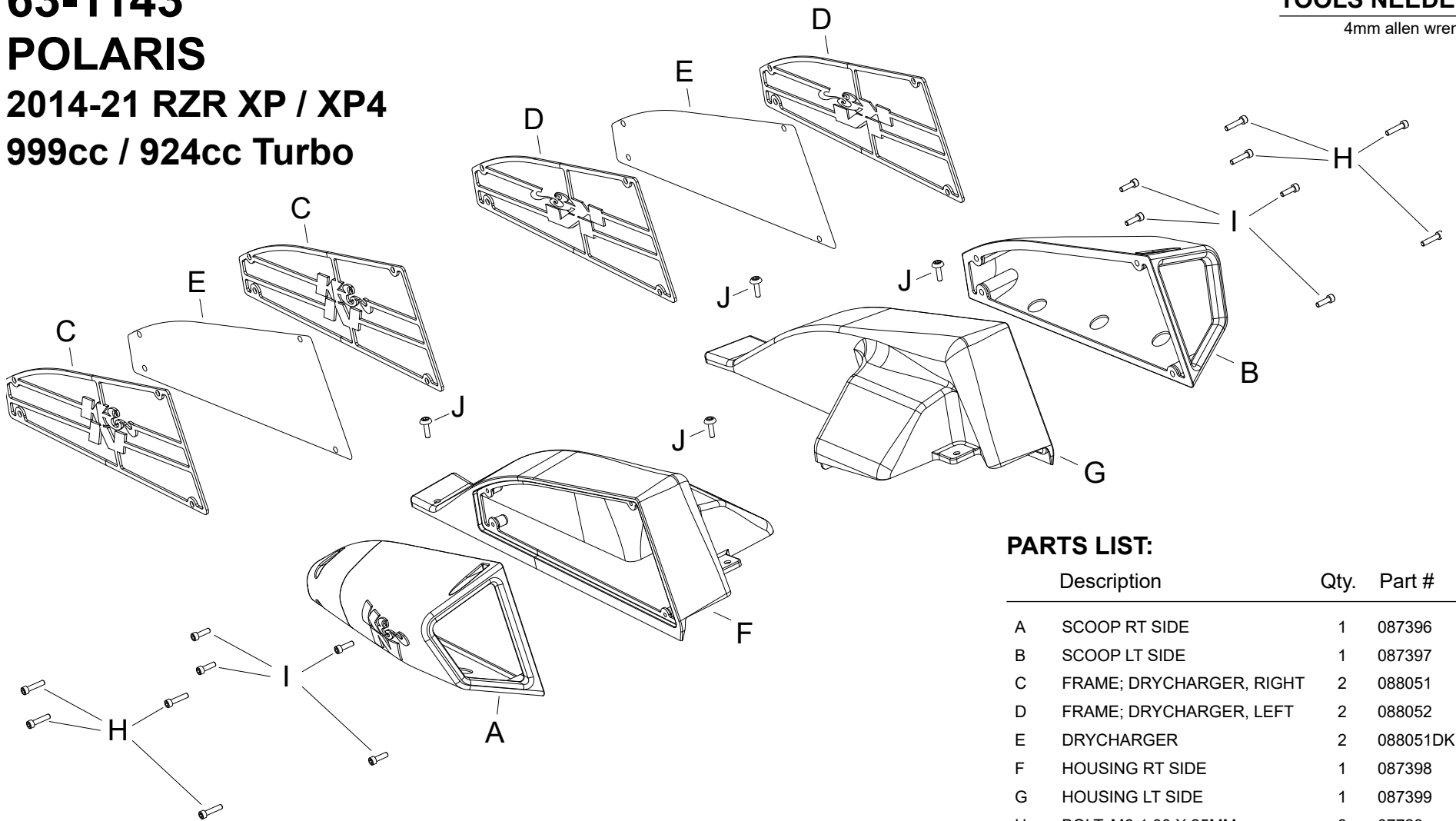
HIGH-FLOW INTAKE KITS

NOT LEGAL FOR SALE OR USE ON ANY POLLUTION CONTROLLED MOTOR VEHICLE IN CALIFORNIA OR STATES ADOPTING CALIFORNIA EMISSION PROCEDURES.
See knfilters.com for CARB status on each part for a specific vehicle

INSTALLATION INSTRUCTIONS

63-1143
POLARIS
2014-21 RZR XP / XP4
999cc / 924cc Turbo

TOOLS NEEDED:
4mm allen wrench



PARTS LIST:

Description	Qty.	Part #
A SCOOP RT SIDE	1	087396
B SCOOP LT SIDE	1	087397
C FRAME; DRYCHARGER, RIGHT	2	088051
D FRAME; DRYCHARGER, LEFT	2	088052
E DRYCHARGER	2	088051DK
F HOUSING RT SIDE	1	087398
G HOUSING LT SIDE	1	087399
H BOLT; M6-1.00 X 25MM	8	07729
I BOLT; M6 X 1.00 X 16MM	8	07730
J BOLT; 6MM X 1 X 40MM	4	22274

If you need any assistance please call 1-800-858-3333 to speak with a representative in our Customer Service Center before returning the product.

NOTE: FAILURE TO FOLLOW INSTALLATION INSTRUCTIONS AND NOT USING THE PROVIDED HARDWARE MAY DAMAGE THE INTAKE TUBE, THROTTLE BODY AND ENGINE.

TO START:

1. Turn off the ignition and disconnect the negative battery cable.

NOTE: Disconnecting the negative battery cable erases pre-programmed electronic memories. Write down all memory settings before disconnecting the negative battery cable. Some radios will require an anti-theft code to be entered after the battery is reconnected. The anti-theft code is typically supplied with your owner's manual. In the event your vehicles anti-theft code cannot be recovered, contact an authorized dealership to obtain your vehicles anti-theft code.



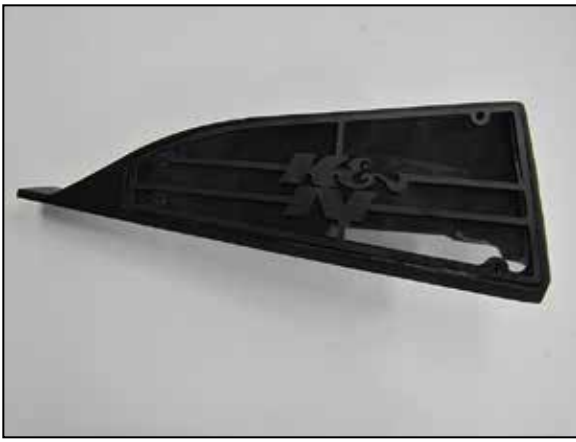
2. Remove the screws that secure the factory clutch and intake pre-filters to the vehicle.
NOTE: Some models with have two screws that secure the prefilters and some will have one screw for each pre-filter.



3. Remove the factory prefilters from the vehicle.
NOTE: K&N Engineering, Inc., recommends that customers do not discard factory air intake.



4. Assemble the left K&N® prefilter/scoop by placing the prefilter onto the housing and then installing the scoop onto the housings and secure with the provided hardware.
NOTE: The bolts that secure the scoops to the housings will pass through the holes in the prefilters. The prefilters will be sandwiched between the housings and scoops.

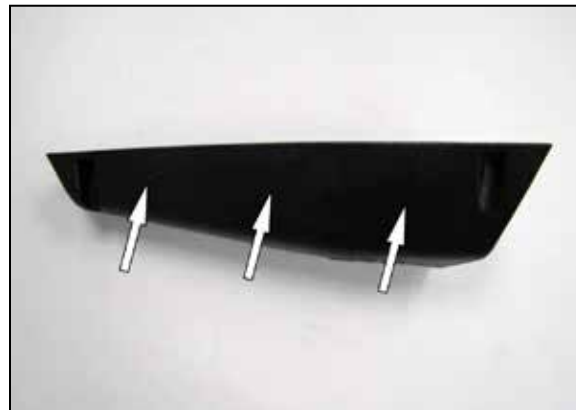
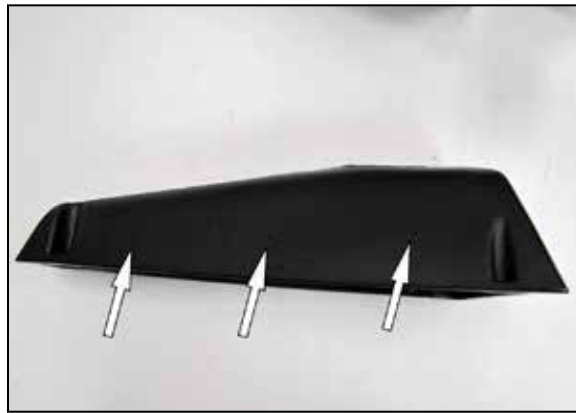


5. Assemble the right side K&N® prefilter/scoop by placing the prefilter onto the housing and then installing the scoop onto the housings and secure with the provided hardware.

NOTE: The bolts that secure the scoops to the housings will pass through the holes in the prefilters. The prefilters will be sandwiched between the housings and scoops.



6. Install the K&N® prefilter/scoop assemblies onto the vehicle and secure with the provided hardware.



7. OPTION: #1 Three drill points are molded into the bottom of each scoop, if desired these drill points can be used to drill drain holes so that water, snow, mud and debris can drain out of the scoops.



8. OPTION #2 Additional shorter hardware has been included so the pre-filters can be run without the scoops if desired. Be sure to use the cage supports for the pre-filter if the scoops are not used.

9. Reconnect the vehicle's negative battery cable. Double check to make sure everything is tight and properly positioned before starting the vehicle.

10. It will be necessary for all K&N® high flow intake systems to be checked periodically for realignment, clearance and tightening of all connections. Failure to follow the above instructions or proper maintenance may void warranty.

ROAD TESTING:

1. Start the engine with the transmission in neutral or park, and the parking brake engaged. Listen for air leaks or odd noises. For air leaks secure hoses and connections. For odd noises, find cause and repair before proceeding. This kit will function identically to the factory system except for being louder and much more responsive.

2. Test drive the vehicle. Listen for odd noises or rattles and fix as necessary.

3. If road test is fine, you can now enjoy the added power and performance from your kit.

4. K&N Engineering, Inc., requires cleaning the intake system's air filter element every 100,000 miles. When used in dusty or off-road environments, our filters will require cleaning more often. We recommend that you visually inspect your filter once every 25,000 miles to determine if the screen is still visible. When the screen is no longer visible some place on the filter element, it is time to clean it. To clean and re-oil, purchase our filter Recharger® service kit, part number 99-5050 or 99-5000 and follow the easy instructions.

NOT LEGAL FOR SALE OR USE ON ANY POLLUTION CONTROLLED MOTOR VEHICLE IN CALIFORNIA OR STATES ADOPTING CALIFORNIA EMISSION PROCEDURES.

See knfilters.com for CARB status on each part for a specific vehicle